

ACOUSTIC RELEASE

AR 661 B2S

The AR 661 B2S Acoustic Release is a rugged 2.5 Ton SWL rated multipurpose unit which uses a secure, low frequency command code structure for reliable deep sea operations.



APPLICATIONS

- Deep water operations to 6,000 m
- Recovery of Oceanographic instrumentation
- Recall Buoys ("Pop-up Buoys")

FEATURES

- Ranges in excess of 10,000 m in good environmental conditions
- Secure 8-bit FSK two state coding system
- Over 30,000 unique codes
- Ranging function to assist relocation
- Ferralium 255 Stainless steel body for long term deployment and corrosion resistance
- Standard alkaline or lithium batteries
- Single board C-MOS programmable electronics

OPTIONS

- Transponder function
- Switch closure output/Remote actuation of subsea mechanical devices
- Remote control of explosive bolts or pyro-technical devices
- Pressure depth telemetry
- Lithium kit for 2.5 years listening life



ACOUSTIC RELEASE AR 661 B2S

SPECIFICATIONS

Mechanical

- Material : Ferralium 255 Stainless Steel
- Release load : 2,500 kg SWL (5,000 kg Proof Test)

Environmental

- Operating Temperature range : -5°C to +50°C
- Storage Temperature range : -40°C to +70°C
- Depth : 6,000 metres

Receiver

- Two frequencies factory set 8-16 kHz
- Minimum pulse width : 6 ms
- Receiver bandwidth : 200 Hz
- Minimum detectable signal : 80 ± dB ref 1 µPa

Command Coding

- Two unique command codes : Ranging, Release
- 8 bit FSK dual state coding
- 8 pulse command, 10 ms pulse width, 100 ms pulse repetition rate, 710 ms total duration

Transmitter

- Reply to FSK commands (Acknowledgement and Execution)
- 8 or 12 kHz standard, with factory option
- Acoustic Source level : 190 ± 3 dB ref 1 µPa at 1 m
- Pulse width : 10 ms ± 0.5 ms
- Frequency stability : ± 30 Hz

Transducer

- Beam pattern : Hemispherical ± 3 dB

Battery packs/Life

- Total 18 standard alkaline cells C-size
- Listening : 9 VDC, 2 banks in parallel, 6 cells each 18 months life
- Transmit/Release : 9 VDC, 1 bank of 6 cells 100,000 ranges or 5,000 releases

Sizes

- Weight : 35 kg (air) / 30 kg (water)
- Size : 90.3 cm long x 12.8 cm dia (tube)
- Shipping : Carton 100 x 33 x 35 cm approx.40 kg

The AR661B2S is only one variant of the AR6X1 series Acoustic Releases, which include models rated to 10,000 m with release hooks rated to 300,000 kg and more.

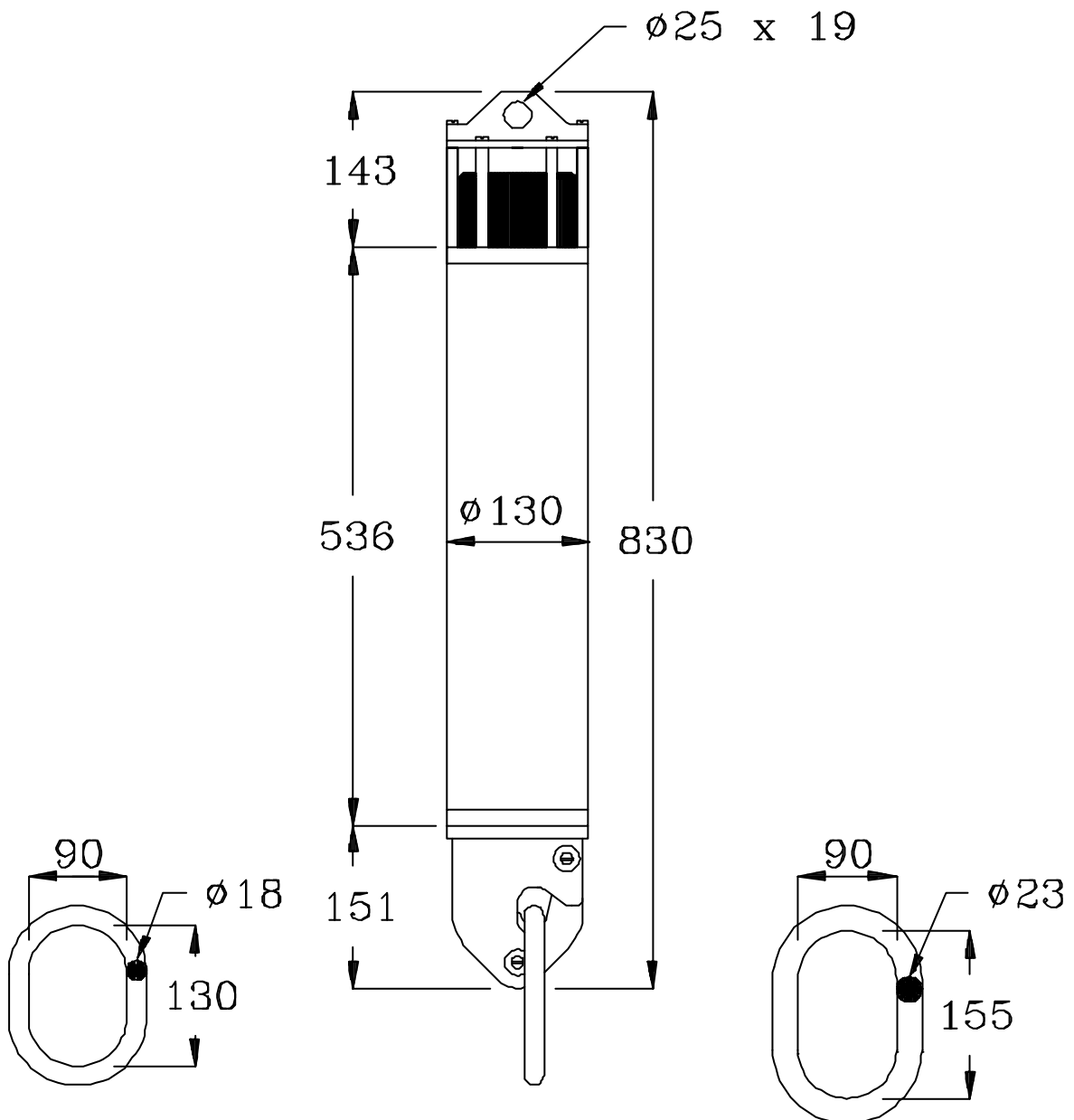
Specifications subject to change without notice

0201 AR661B2S.p65



AR 661 B2S

Dimensions



3 T Ring
ref. 515C18

5 T Ring
ref. 515C23

ALL SIZES IN MM

0201 AR661B2S.p65

